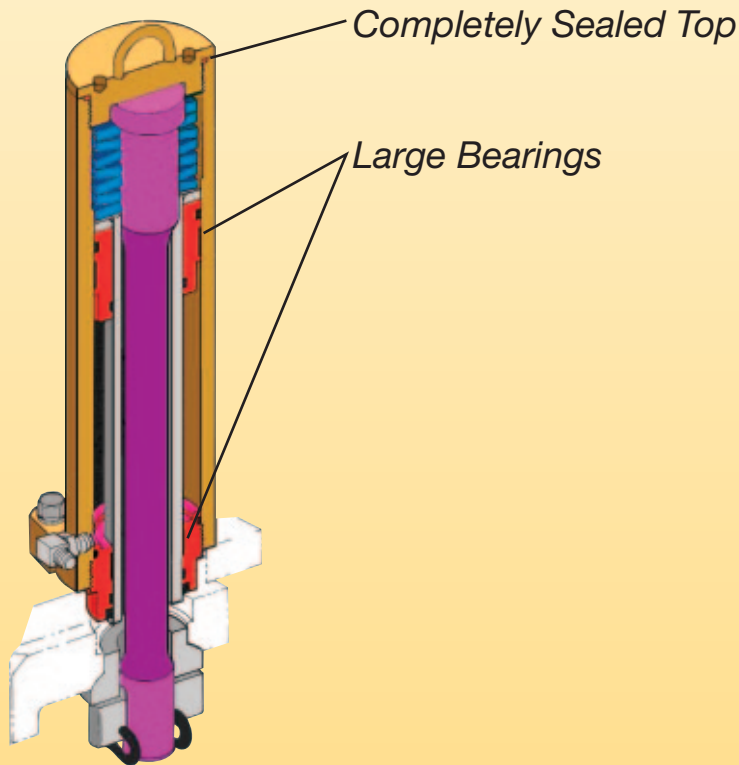
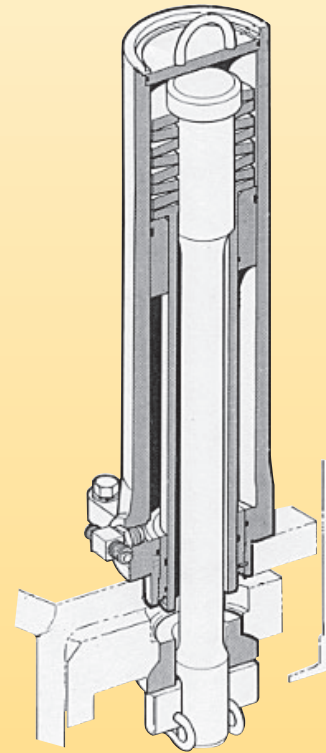


LOCKPOST CYLINDERS FOR SYMONS™ CONE CRUSHERS

Innotech vs Competition



**Innotech's Super Duty
Cylinder**



**Competitive
Design**

1. Large bearings in the piston and the gland and the pendulum inner rod design prevent side loading from damaging the cylinder ID and the outer rod thus extending the life of the seals and all critical parts.
2. The completely sealed top prevents contamination from entering the cylinder thus improving the life of all components.
3. Innotech design uses advanced seal design for extended life.
4. Innotech's cylinder is mounted from the top, with the use of an adapter plate, for ease of assembly and is 100% interchangeable with the competitor's design.

Symons™ is a registered trademark of Metso Minerals Inc.



Innotech Solutions

220 Regency Court Suite 103 ■ Brookfield, Wisconsin 53045

(888) 827-0011

Website: theinnotechsolutions.com ■ E-Mail: ssawant@theinnotechsolutions.com